

Crawler CR-1011-40

60W Oval LED Agricultural Work Light

MATERIALS

Weight: 1123.5g

Housing Material: Die Cast Aluminum, Black & Grey Powder Coated Finish

Lens Material: Polycarbonate, Hard Coated & UV protected

Heat management: Natural Convection, Heat Sink

Mounting type: Mounting bracket & screws

Waterproof Rate: IP67

OPTICS

Beam pattern	Spot with 40 degrees
Power:	60W
Lumens:	5500 lms

ELECTRONIC CHARACTERISTICS

LED chips: 4 pcs 15W High Intensity LEDs

Operation Voltage: 9-32V DC

Operation temperature: -40°C to 80°C

CERTIFICATES

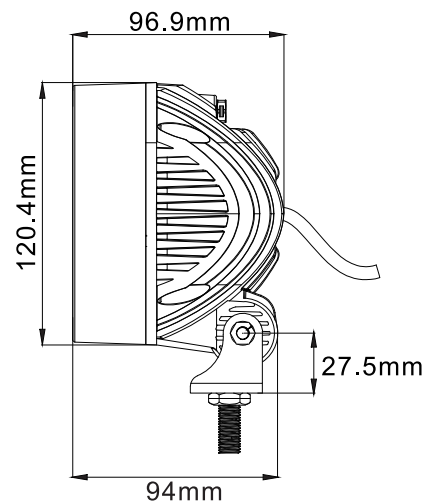
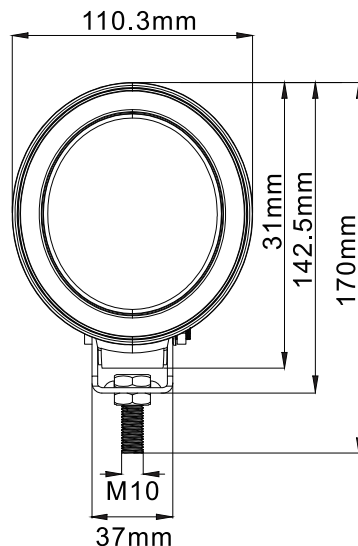
CE, RoHS,

EMC: CISPR25 CLASS 4

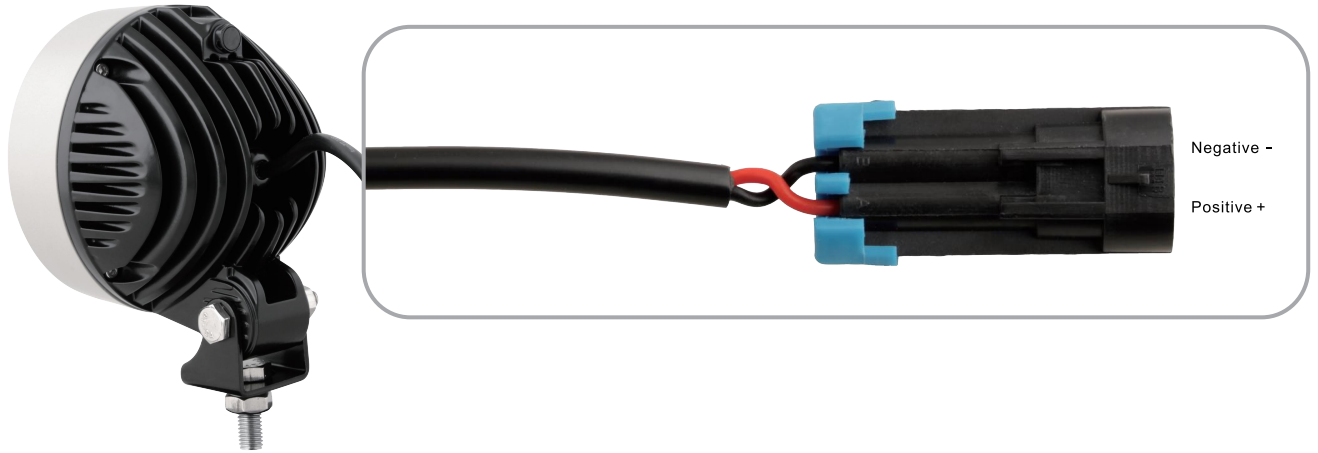
E-mark: ECE R10



PRODUCT SIZE:



WIRE COLOR & FUNCTIONS



SPOT LIGHT PATTERN

