

## Product Information Sheet

**CRAWER**  
LIGHTING TECHNOLOGY

### CRAWER CR-1030

CRAWER 45W LED work light 20 degree

#### MATERIALS

Weight: 373g  
Housing Material: Die Cast Aluminum, Black Powder Coated Finish  
Lens Material: Polycarbonate, UV protected  
Heat management: Natural Convection, Heat Sink  
Mounting material: Stainless steel hardware  
Waterproof Rate: Ip67

#### OPTICS

Beam pattern:	High beam
Power:	45W
Lumens:	4000LM

#### ELECTRONIC CHARACTERISTICS

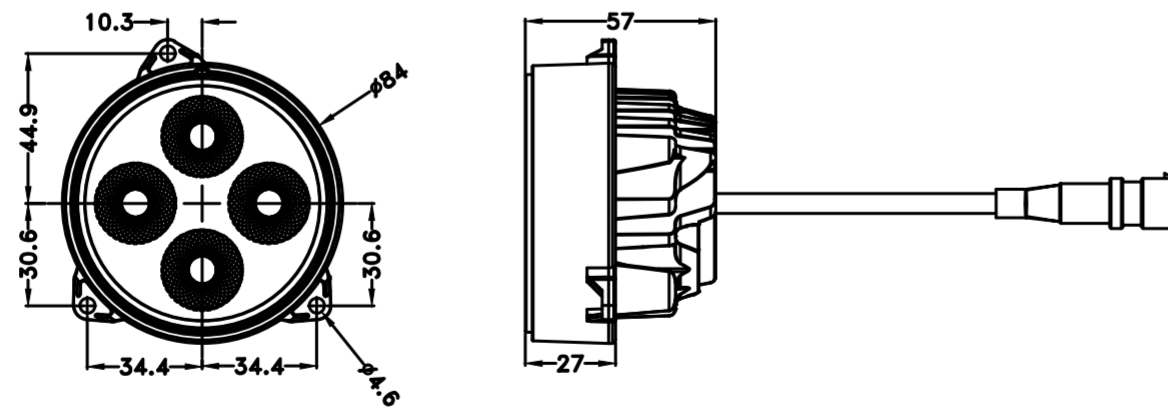
LED chips: 4pcs Luminus LEDs  
Operation Voltage: 10-30V DC  
Operation temperature: -40°C to 80°C

#### CERTIFICATES

CE, RoHS  
E-MARK R149, R10  
EMC CISPR CLASS4



#### PRODUCT SIZE:



[WWW.CRAWER.EU](http://WWW.CRAWER.EU)

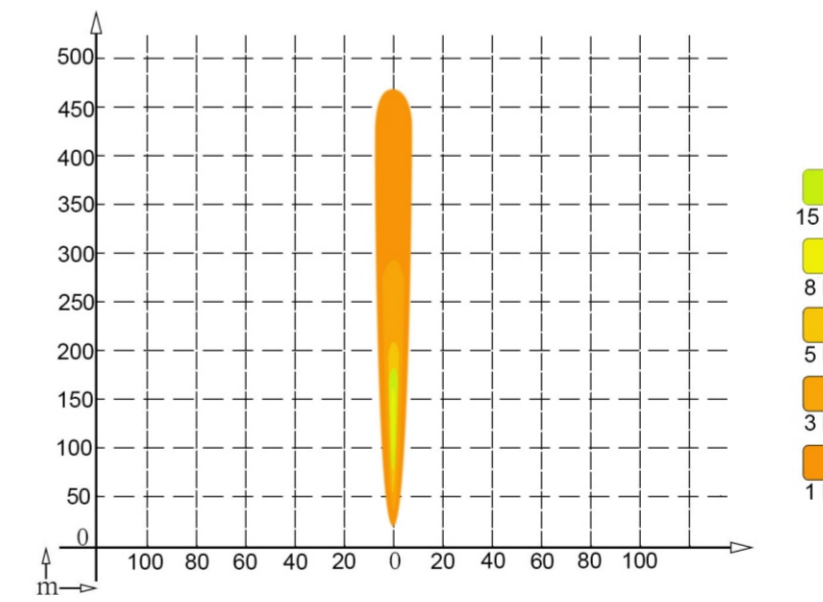
## Product Information Sheet

**CRAWER**  
LIGHTING TECHNOLOGY

#### WIRE COLOR & FUNCTIONS



#### BEAM PATTERN



HIGH BEAM

[WWW.CRAWER.EU](http://WWW.CRAWER.EU)