

## Product Information Sheet



### CRAWER CR-1031

CRAWER 45W LED work light 60 degree

#### MATERIALS

Weight: 373g  
 Housing Material: Die Cast Aluminum, Black Powder Coated Finish  
 Lens Material: Polycarbonate, UV protected  
 Heat management: Natural Convection, Heat Sink  
 Mounting material: Stainless steel hardware  
 Waterproof Rate: Ip67

#### OPTICS

Beam pattern:	Flood beam
Power:	45W
Lumens:	4000LM

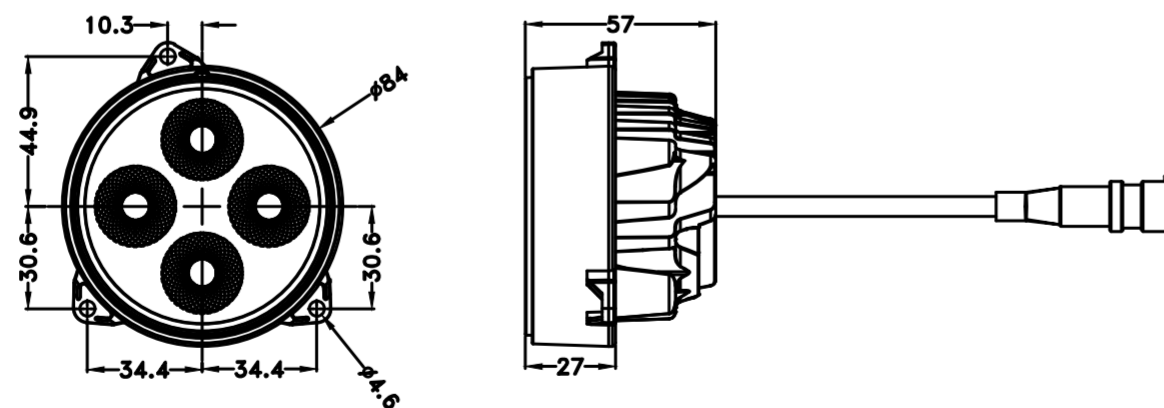
#### ELECTRONIC CHARACTERISTICS

LED chips: 4pcs Luminus LEDs  
 Operation Voltage: 10-30V DC  
 Operation temperature: -40°C to 80°C

#### CERTIFICATES

CE, RoHS  
 E-MARK R10  
 EMC CISPR CLASS4

#### PRODUCT SIZE:



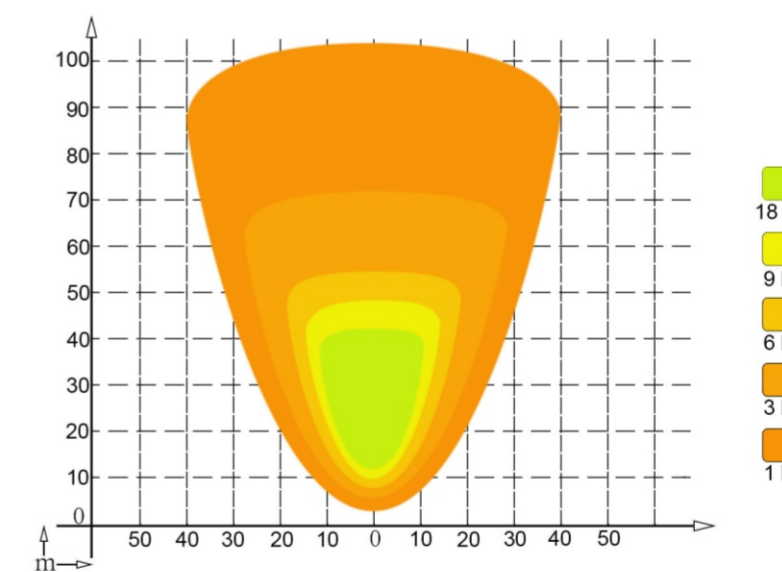
## Product Information Sheet



#### WIRE COLOR & FUNCTIONS



#### BEAM PATTERN



FLOOD BEAM