

## Product Information Sheet

**CRAWER**  
LIGHTING TECHNOLOGY

### CRAWER CR-5001-E

CRAWER headlight unit New Holland T6/ T7 without worklights

#### MATERIALS

Weight: 1955g  
Housing Material: Durable Plastic  
Lens Material: Polycarbonate, Hard Coated & UV protected  
Heat management: Natural Convection, Heat Sink  
Mounting material: Fixed Mounting  
Waterproof Rate: Ip67

#### OPTICS

|                     |  |
|---------------------|--|
| Part Number:        | CR-3009-P                                    |
| Low beam:           | 30W  |
| High beam:          | 55W  |
| Position light:     | 1W   |
| Symmetrical pattern |  |
| LED Chips:          | 2pcs LMP ® 7035AW.AE LEDs + 24pcs OSRAM LEDs |

|                |                  |
|----------------|------------------|
| Position Light |                  |
| White light:   | 3W               |
| Amber light:   | 3W               |
| LED Chips:     | 28pcs OSRAM LEDs |

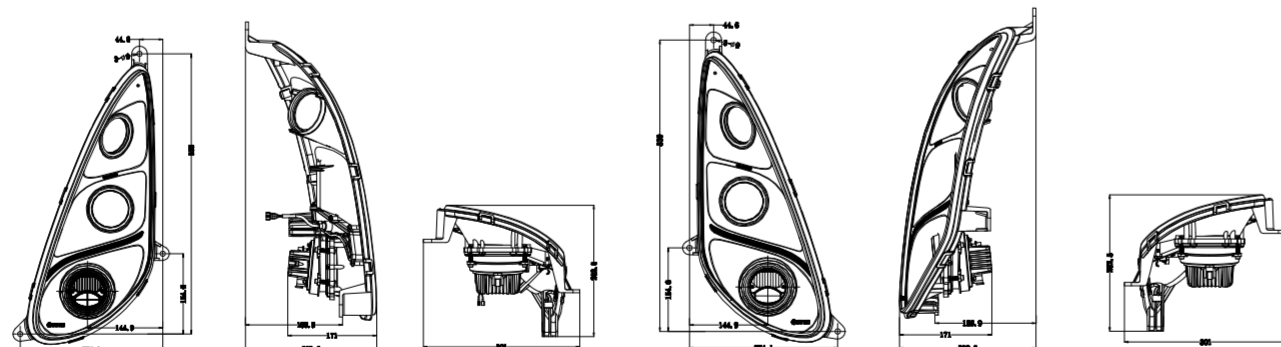
#### ELECTRONIC CHARACTERISTICS

Operation Voltage: 10-30V DC  
Operation temperature: -40°C to 80°C

#### CERTIFICATES

CE, RoHS  
EMC: CISPR25 CLASS4  
E-mark: ECE R149, R148, R10

#### PRODUCT SIZE:

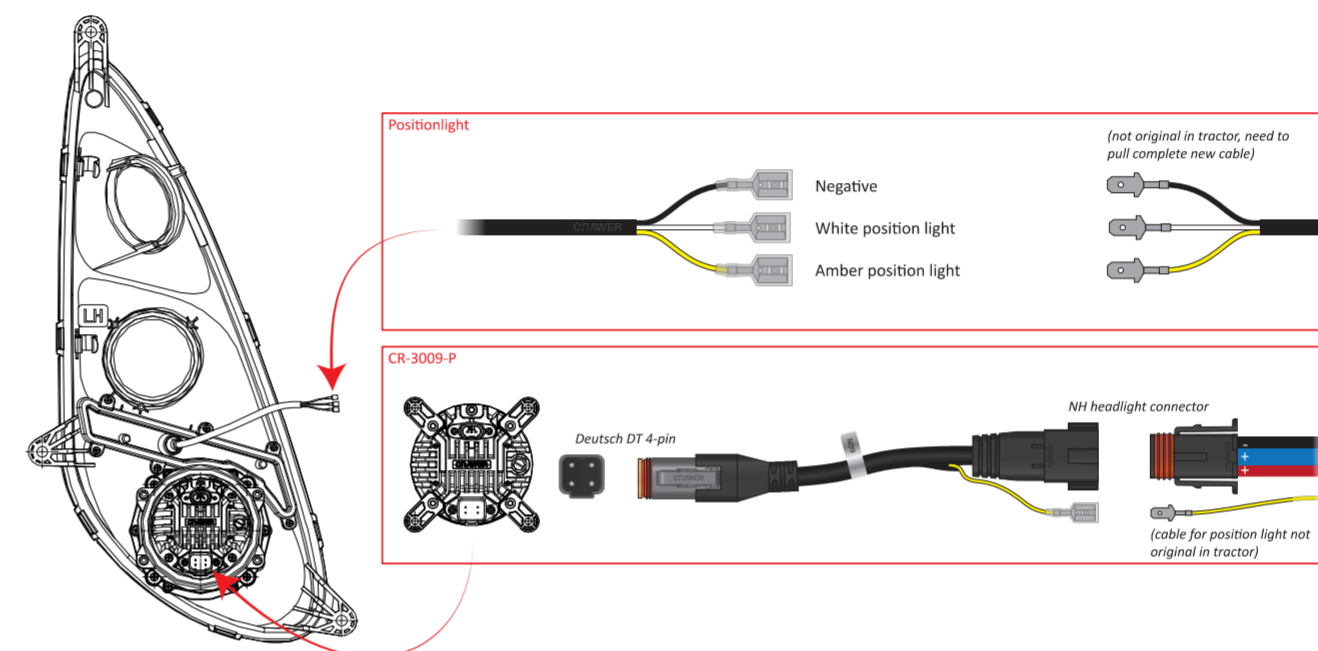


WWW.CRAWER.EU

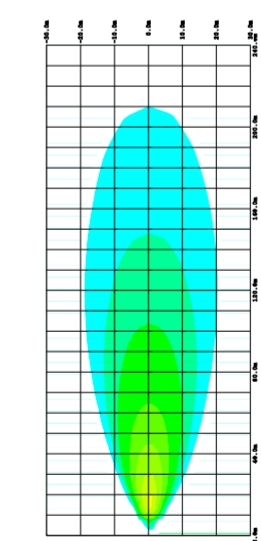
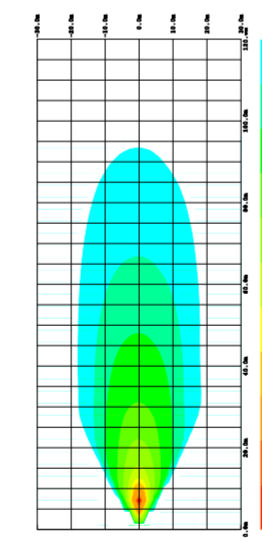
## Product Information Sheet

**CRAWER**  
LIGHTING TECHNOLOGY

#### WIRE COLOR & FUNCTIONS



#### BEAM PATTERN



WWW.CRAWER.EU