

Crawler CR-3021

3X5 build-on LED headlight unit. 4 functions

MATERIALS

Weight: 888g
 Housing Material: ABS +PC
 Heat sink Material: Die Cast Aluminum, Black Powder Coated Finish
 Lens Material: Polycarbonate, Hard Coated & UV protected
 Heat management: Natural Convection, Heat Sink
 Mounting options: Fixed Mounting Via Mounting Screws
 Waterproof Rate: IP67

OPTICS

Low beam	18 Watt	1120 lumens
High beam	30 Watt	1510 lumens
Position light	2.5W	112 lumens
High-beam reference number:	12.5	

ELECTRONIC CHARACTERISTICS

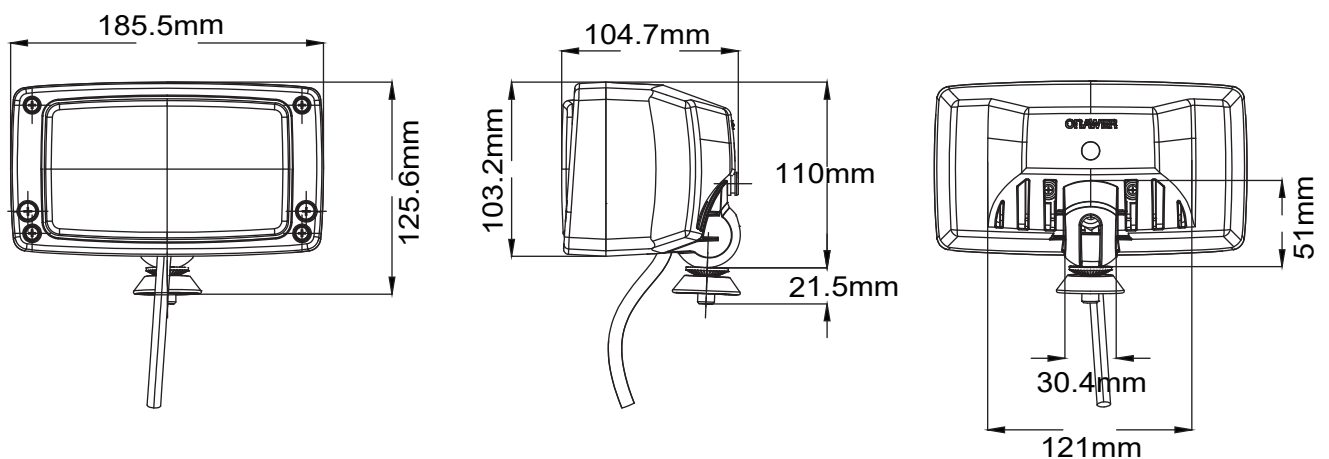
LED chips: 2 pcs 9W + 6 pcs 3W OSRAM LEDs
 Operation Voltage: 9-32V DC
 Operation temperature: -40°C to 80°C

CERTIFICATES

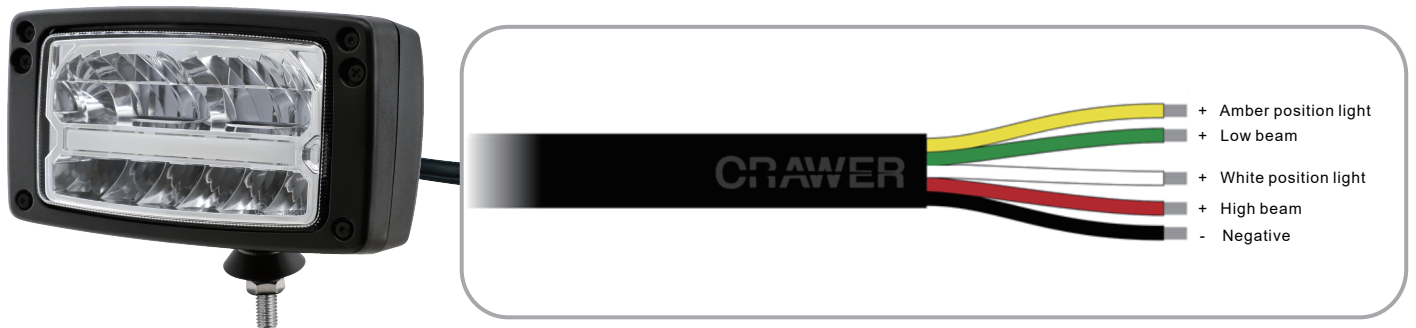
CE, RoHS,
 EMC: CISPR25 CLASS 4
 E-mark: ECE R148, R149, R10



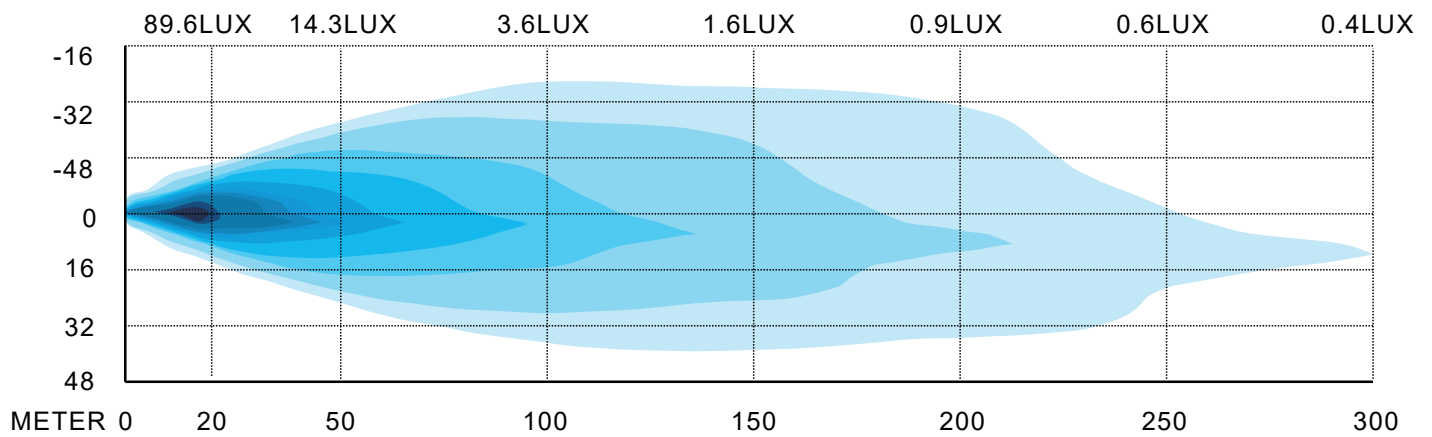
PRODUCT SIZE:



WIRE COLOR & FUNCTIONS



LOW BEAM PATTERN



HIGH BEAM PATTERN

